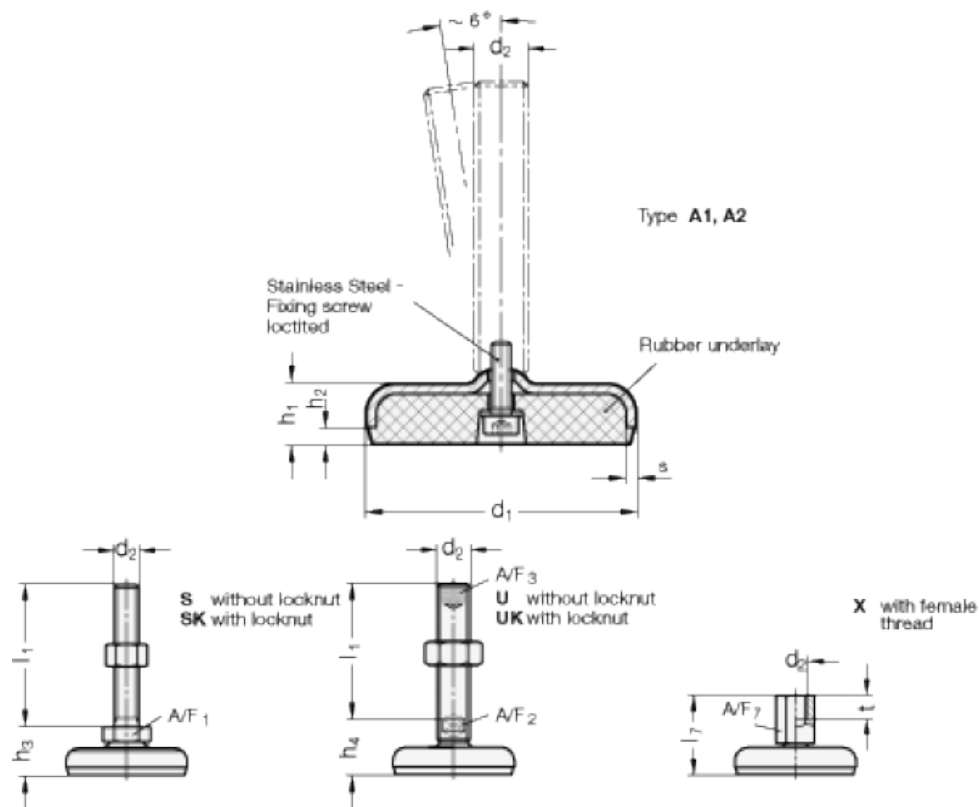


Article number: 2030120M24100A1U

Description: E+G levelling foot  
GN 30-120-M24-100-A1-U

Note: U Without nut, Hexagon socket at the top, Wrench flat at the bottom

## Measures



A/F2 = 19  
A/F3 = 12  
 $d_1$  = 120  
 $d_2$  = M24  
 $h_1$  = 22  
 $h_2$  = 6  
 $h_4$  = 42  
l1 = 100

$s$  = 4